



QUALITY FOOD SERVICE EQUIPMENT

SPECIFICATION SHEET

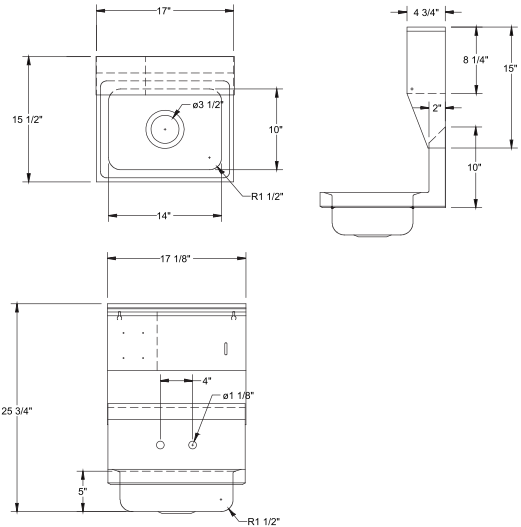
Model #:	_____	Qty:	_____
Project #:	_____		
Consultant:	_____		

HANDSINK

wall mount



DIMENSIONS



MATERIAL

- ◆ 18GA 304 stainless steel fabricated

FEATURES

- ◆ 2 holes for wall mounting
- ◆ 3-1/2" drain opening
- ◆ 1 towel dispenser
- ◆ With one STN -3

Model#	Hand Sink Size
HS2-W2-4-TD	14" X 10" X 5"